



- Advanced system specialized for swine
- Natural sunrise simulation reduces swine's stress
- Dim-to-Red technology enhances performance
- Dims fully to red, acting as a "Service Light"
- 13.8W LED equivalent to 125W incandescent
- Durable, Built For Your Barn® design

\*Product shown with recommended junction box.



AgriShift® lighting systems "shift" spectrum and intensity, meeting the individual needs of your animals†.



Swine-specific **Dim-to-Red** technology reduces interruptions during animal sleep cycles by dimming fully to red, which swine perceive as darkness.



A **Built For Your Barn®** design uses techniques and materials that withstands harsh barn environments for years to come.

## Animal-Centric Lighting Systems

The next generation AgriShift® MLS is brighter and more durable, designed to evenly distribute light for both the swine herd and the humans caring for it. The modular fixture features swine-specific Dim-to-Red technology, a Built For Your Barn® design and is in two sizes – a short and a tall lens. It is easy to install and wet location rated, guaranteeing it will hold up to regular wash downs.

This lighting system supports the bio-security measures of modern swine facilities and is suitable for use in sow barns, gestation buildings, nurseries, gilt development units and finishing facilities.

### The Science and Technology

When completing your lighting system with an AgriShift® Control or AgriShift® Dim and ONCE® recommended lighting schedule, you provide animals with a natural sunrise/sunset simulation. This reduces stress caused by sudden changes in light. In addition, the Dim-to-Red technology fully dims lights to red, which swine perceive as darkness. This red light may be used as a "service light" so workers can access the facility without disturbing or interrupting their sleep cycles.



## AgriShift® MLS Specifications

Nominal Power	13.8W (at full intensity)
Luminous Flux	1380 lm human photopic (120V)
Input Voltage	120 VAC / 50/60 Hz
Beam Angle	180°
Light Output Equivalence	Up to 125W incandescent
Spectral Output	Species-specific full spectrum white
Operating Temperature	-20°C to 40°C / -4°F to 104°F
Dimmable Range	100% to 5%, dims-to-red hue
Dimmer Type	Phase Modulation or Amplitude Control*
Environmental Ratings	Suitable for damp locations, RoHS Compliant
Safety	Conforms to ANSI/UL STD 1598, Certified to Can/CSA STD. C22.2 NO. 250.0

\*For optimum dimming performance use an AgriShift® Controller.

## Ordering Information

### AgriShift® MLS Tall Lens

Base Unit (BU)  
Junction Box (JB)  
*Includes JB adapter/connector kit*  
Jelly Jar (JJ)  
*Includes JJ adapter/connector kit*

### SKU

MLS-FSWR-BU-180-014-120  
MLS-FSWR-JB-180-014-120  
MLS-FSWR-JJ-180-014-120

### AgriShift® MLS Short Lens

*Coming Soon!*

### AgriShift® MLS Accessories

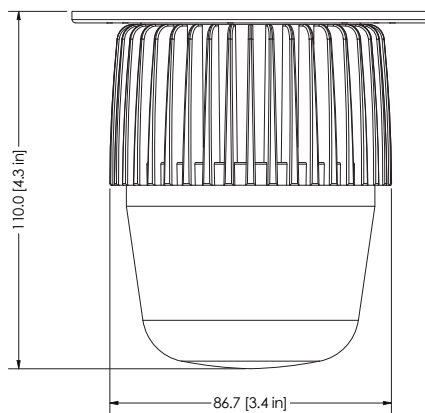
AgriShift® Control 120V  
AgriShift® Dim 120V  
AgriShift® Control 240V-50Hz  
AgriShift® Control 240V-60Hz  
Junction Box  
*Five 3/4" threaded outlets*  
Junction Box  
*Five total 3/4" KO hubs, four sealed*

### SKU

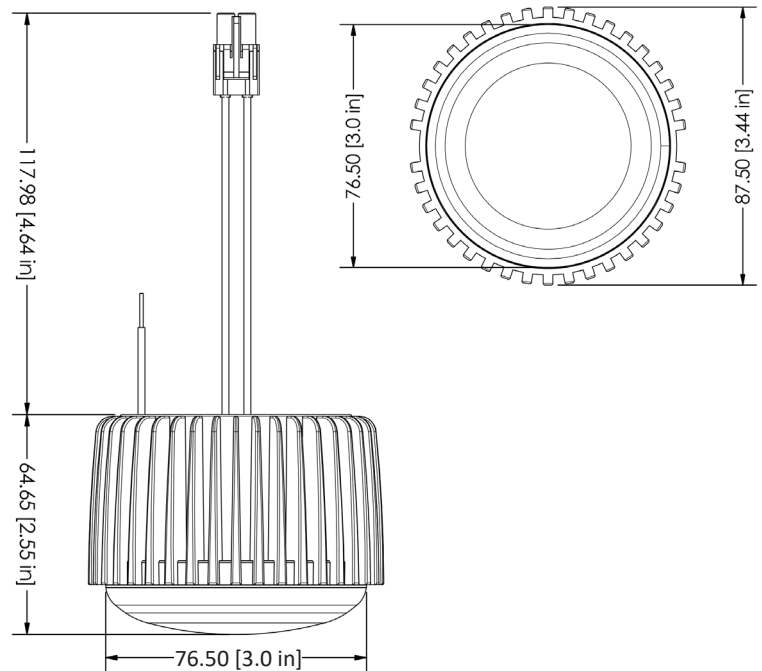
30-014-00188-L123  
30-014-00189-L123  
30-014-00180-L123  
30-014-00180-L123-60Hz  
PRB57550GY  
PRB575GYKO

## AgriShift® MLS Mechanical Dimensions

Junction Box (JB) Tall Lens with adapter



Junction Box (JB) Short Lens Base Unit



Jelly Jar (JJ) Tall Lens with adapter

