



ECONO | ULTRA | ACCU | INTāK

# DROP FEEDING SYSTEMS



# DROP FEEDING SYSTEMS

## Efficient, Flexible and Proven

To meet the needs of the modern pork producer, you need to be able to accommodate a variety of applications with consistently reliable performance. AP's selection of drop feeders won't disappoint with efficient designs, flexible options, and proven dependability.

### Econo-Drop™

Engineered for reliable performance at an affordable price.

- Front mounted adjustment
- Individual slide shut-off
- Translucent body allows visual confirmation of feed level
- Weighted ball valve securely closes the feeder and ensures feed flow when open
- All plastic construction with stainless steel hardware



The Econo-Drop feeder is equipped with a conveniently located slide shut-off.

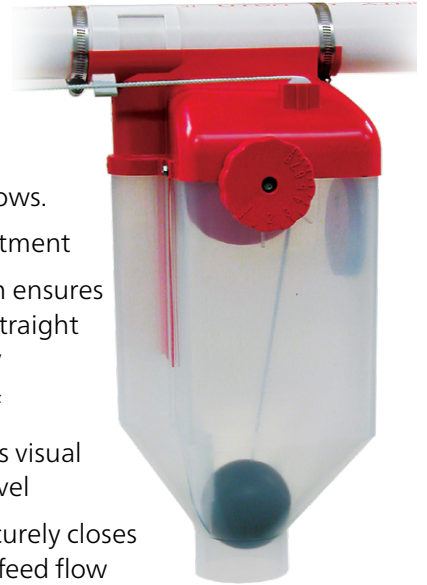


Econo-Drop's front mounted adjustment ranges from 1.5 lbs. to 12 lbs. (.68kg to 5.44 kg).

### Ultra-Drop™

Designed with producer input to meet the requirements of both gestating and lactating sows.

- Convenient knob adjustment
- Center mounted design ensures that the feeder hangs straight and maintains accuracy
- Individual slide shut-off
- Translucent body allows visual confirmation of feed level
- Weighted ball valve securely closes the feeder and ensures feed flow when open
- All plastic construction with stainless steel hardware



An easily accessible slide shut-off on the Ultra-Drop cuts feed flow to the feeder.



A half turn of the convenient adjustment knob adjusts the Ultra-Drop feeder from 1 lb. to 8 lbs. (.45kg to 3.63 kg).





*Several options available with features ideally suited to your facilities and application.*

## Accu-Drop™

Heavy duty construction designed to provide years of durable, reliable performance.

- Precision lock-in setting adjustment
- Center mounted design ensures that the feeder hangs straight and maintains accuracy
- Individual slide shut-off
- Translucent body allows visual confirmation of feed level
- Weighted ball valve securely closes the feeder and ensures feed flow when open
- All plastic construction with stainless steel hardware



Cut feed access to the Accu-Drop feeder with a simple rotating shut-off located at the top of the feeder.

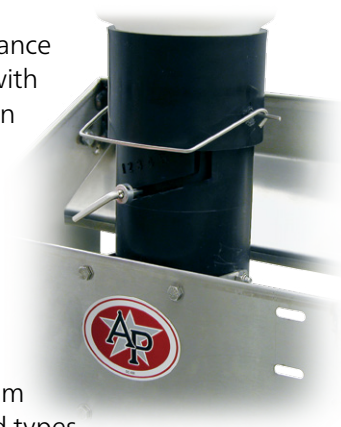


The Accu-Drop adjuster securely locks the feed setting at 1.5 lbs. to 12 lbs. (.68kg to 5.44 kg).

## INTāk™

Optimize sow herd performance by maximizing feed intake with the AP INTāk Ad-Lib lactation feeding system.

- Fresh feed available to sows 24/7
- Decrease feed waste and the time spent removing stale feed
- Indexed adjustment system adapts to a variety of feed types
- Designed for quick and simple cleaning
- Adaptable to most existing farrowing crate feeders



The easy set indexed adjustment system can be used to adapt the dispenser to a wide range of feed types and sows.



INTāk dispensers are easily adapted to most farrowing crates and can be retrofitted to existing stainless steel feeders. Dispensers can be hand filled using the optional fifteen-pound hopper or filled automatically with a Chain Disk fill system.

# DROP FEEDING SYSTEMS

## Dependable Year after Year

AP drop feeders provide you with the ability to maintain individual sow condition, decrease stress during feeding, save labor and prevent feed waste. Designed to stand up to the harsh environment, daily use and frequent wash downs, you can depend on AP drop feeders to provide years of reliable service saving you time and money.



### ECONO-DROP FEEDERS

Engineered for reliable performance at an affordable price, AP's Econo-Drop features a simple front mounted adjustment, individual slide shut-off, and translucent body for visual confirmation of feed level.



### ULTRA-DROP FEEDERS

The Ultra-Drop was designed with producer input to meet the requirements of both gestating and lactating sows. This feeder features convenient one handed adjustment and a center mounted design to ensure the feeder hangs straight.



### ACCU-DROP FEEDERS

Accu-Drop feeders are designed to fill the highly precise requirements of today's diverse production systems. The system can be manually operated or fully automated using an actuator system operated by a programmable timer.

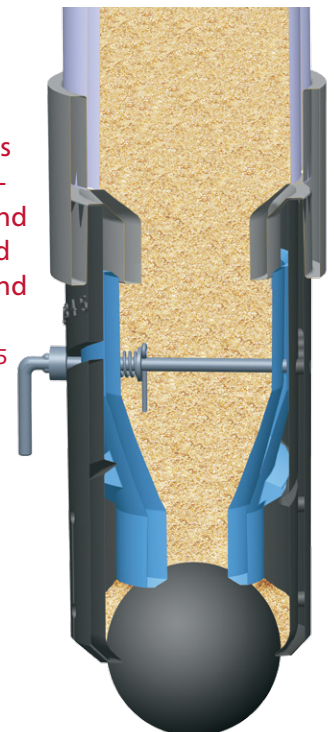
### INTāK FEEDERS

The INTāK dispenser provides reliable feed flow 24 hours a day delivering a regulated amount of fresh feed with each actuation.



The INTāK dispenser's patented\* design decreases feed waste and labor costs associated with hand feeding and stale feed removal.

\*Patent Number 6,101,975



*"INTāK feeders have greatly improved our sow condition, saved labor and added over a pound to our weaning weight."*

*Tony Pitcher  
Pitchco Farms, Montrose, IL*

# Specifications

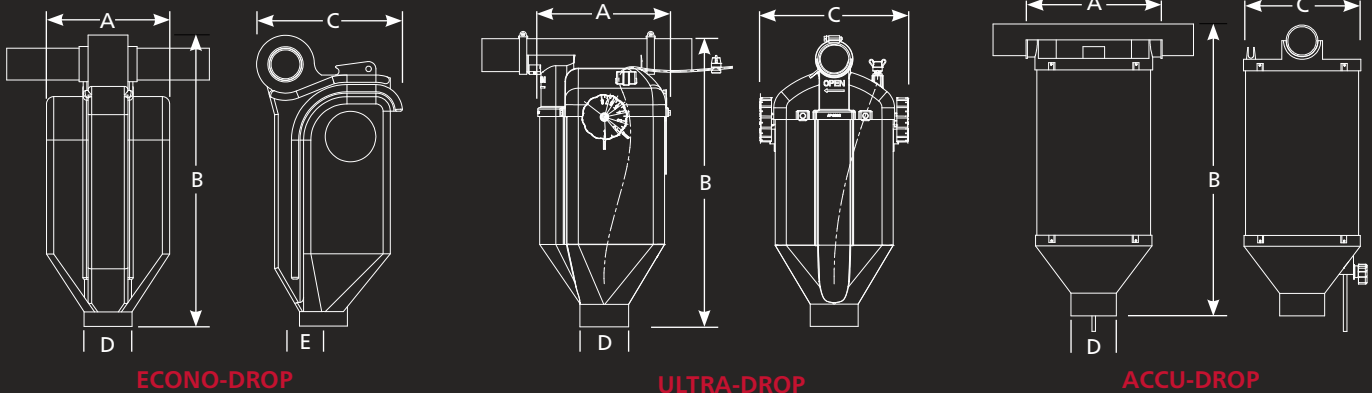
## DROP FEEDER DIMENSIONS

MODEL	FRONT VIEW WIDTH	OVERALL HEIGHT*	SIDE VIEW WIDTH	OUTLET OD	DISCHARGE OFF SET	MINIMUM CAPACITY**	MAXIMUM CAPACITY**	AVAILABLE MODELS
	A	B	C	D	E			
<b>ECONO-DROP</b>	8.5"	20.13"	10.08"	3.31"	2.63"	1.5 lbs. (.68 kg)	12 lbs. (5.44 kg)	ChainDisk, M220, M300 & M350 Flex-Flo™
<b>ULTRA-DROP</b>	10.13"	19.23"	10.08"	3.25"	N/A	1 lb. (.45 kg)	8 lbs. (3.63 kg)	ChainDisk, M220 Flex-Flo™
<b>ACCU-DROP</b>	9.5"	20.38"***	8.6"	3.16"	N/A	1.5 lbs. (.68 kg)	12 lbs. (5.44 kg)	ChainDisk, M220 & M300 Flex-Flo™

\* Overall height for Ultra-Drop and Accu-Drop is stated from the top of the Model 220 Flex-Flo feed line to the bottom of the drop feeder.

\*\* Feeder capacity is approximate and is based on volume which will change as feed density and flowability changes.

\*\*\* Adjustment rod on Accu-Drop feeders extends up to 9.5" beyond the bottom of drop feeder at the maximum setting.



## INTĀK PERFORMANCE

	INTĀK SYSTEM W/WATER IN FEEDER	HAND FEEDING TWICE DAILY
Number of Sows & Litters	57	57
Average Parity	2.8	2.7
Litter Size (post cross fostering)	10.03	10.16
Avg. Daily Feed Disappearance	13.24 lbs.	12.15 lbs.
Lactation Wt. Change Post Farrowing	+14.33 lbs.	+2.65 lbs.
Avg. Pig Weight (Day 20)	14.46 lbs.	13.56 lbs.

Test Results from Michigan State University Dept. of Animal Science (Peng 2005)

## INTĀK DIMENSIONS

F	Overall Height	11-3/4" (29.8 cm)	
G	Top Collar Height	3.5" (8.9 cm)	
H	Top Collar ID	3-7/16" (8.7 cm)	
I	Top Collar OD	5-3/32" (12.9 cm)	
J	Adjuster at low setting to bottom	1-1/32" (2.6 cm)	
K	Body OD	4-3/8" (11.1 cm)	

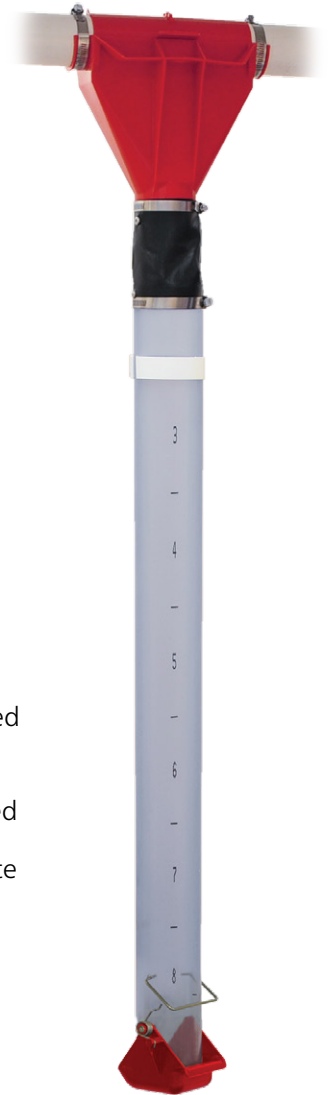
## HOPPER DIMENSIONS

L	Overall Height	17-7/8" (45.2 cm)	
M	Installed Height	16" (40.6 cm)	
N	Side View Width	6-7/8" (17.5 cm)	
O	Front View Width	14-11/16" (37.3 cm)	

# DROP FEEDING SYSTEMS

## Farrowing Drop Feeders

Eliminate feed carts and reduce the cost of labor associated with hand feeding lactating sows with AP's Farrowing Drop Feeders.



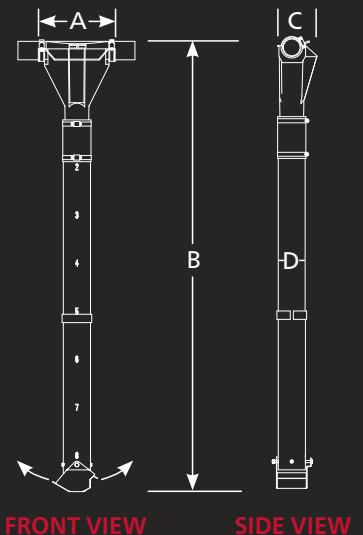
### FEATURES INCLUDE:

- Heavy wall, clear pvc tube and valve
- Capacity markings on the clear feed tube provide an easy indicator of the amount of feed being dropped.
- Sliding band can be moved on the tube to record the amount of feed previously dropped
- Flexible coupler aids in alignment with the feeder and permits clear access to the head gate
- Spring-loaded pvc discharge cup snaps securely into the closed position
- Each feeder is equipped with an individual slide shut-off

### FARROWING DROP FEEDER DIMENSIONS

MODEL	FRONT VIEW WIDTH	OVERALL HEIGHT*	SIDE VIEW WIDTH	TUBE OD	MAXIMUM CAPACITY**	AVAILABLE MODELS
	A	B	C	D		
6 lb.	9.189" 23.3 cm	39.30" 99.8 cm	5.340" 13.6 cm	3.250" 8.3 cm	6 lbs. 2.73 kg.	M236 ChainDisk, M220 Flex-Flo™
8 lb.	9.189" 23.3 cm	53.84" 136.8 cm	5.340" 13.6 cm	3.250" 8.3 cm	8 lbs. 3.63 kg.	M236 ChainDisk, M220, M300 Flex-Flo™

\* Overall height is stated from the top of feed line to bottom of drop feeder.  
 \*\* Feeder capacity is approximate and is based on volume which will change as feed density and flowability changes.  
 Specifications subject to change without notice.









# PROVEN & DEPENDABLE™

In today's competitive market place, it is essential to maximize the efficiency and performance of your swine production facilities. AP is the industry leader in the manufacture of proven and dependable swine production equipment designed to help you meet these goals.

## Ask About AP's Feed Delivery Systems and Accessories

AP drop feeders are designed to be used with either our Flex-Flo™ or Chain-Disk feed delivery systems which can be adapted to gestation and lactation facilities of any size or design. In addition, a variety of accessories are available to adapt to your equipment, specifications and production practices.



Flex-Flo™ Feed Delivery System



Chain Disk Feed Delivery System



Flex-Flo™ Control Unit



Adjustable Drop Tube



Automated Actuation System



Manual Actuation Options



**AUTOMATED PRODUCTION SYSTEMS**  
1004 E. Illinois St. Assumption, IL 62510 USA  
Tel: 217-226-4449 Fax: 217-226-3540  
Int'l Tel: 217-226-4401  
Tech Support: 712-239-1011

**AGCO** AP is a part of GSI, a worldwide Brand of AGCO | AP-52 05/17  
Your Agriculture Company Copyright © 2017 by AGCO Corporation | Printed in USA | Due to continual improvements, AP reserves the right to change designs and specifications without notice.

For more information on AP's many products and services, contact your local AP representative or visit us online at:  
[www.automatedproduction.com](http://www.automatedproduction.com)